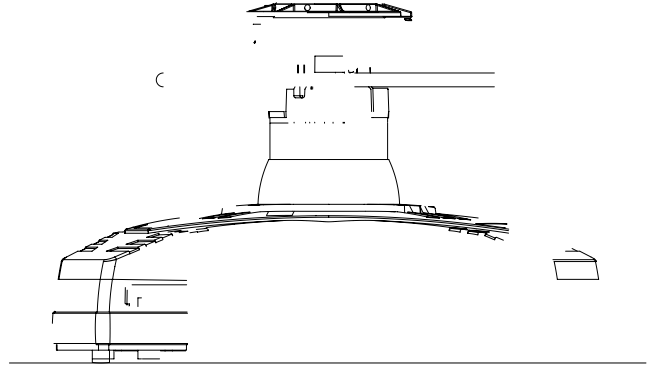
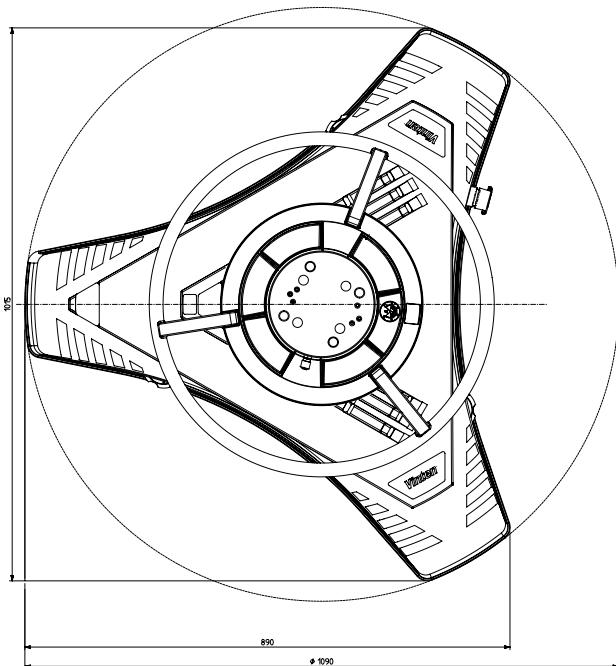


Quartz One Pedestal

3825-3



Payload	95 kg (209.5 lb)
Pedestal weight	79 kg (174 lb)
Trim weights	3 kg (6.6 lb)
Minimum height	71 cm (28 in.)
Maximum height	122 cm (48 in.)
Ground clearance	2 cm (0.8 in.)
On-shot stroke	51 cm (20 in.)
Doorway tracking width	108 cm (42.5 in.)
Transit doorway width	80 cm (31.5 in.)
Wheel diameter	12.5 cm (5 in.)
Steering ring diameter	63.5 cm (25 in.)
Maximum working pressure	12.1 bar (175 psi)
Relief valve pressure	13.8 bar (200 psi)

Technical Data

Vinten

Main Assemblies

Quartz One pedestal	3825-3
Trim weight	3328-328
Spanner - for head bolts	J551-001
Vinten portable pump	3357-3

Vinten Broadcast Limited
Western Way, Bury St. Edmunds
Suffolk IP33 3TB, United Kingdom
Telephone +44 (0)1284 752121
Telefax +44 (0)1284 750560
Sales Office Fax +44 (0)1284 757929

Vinten Inc.
709 Executive Boulevard
Valley Cottage, NY 10989, USA
Telephone +1 845 268 0100
Telefax +1 845 268 0113
Toll Free 1 888 4 VINTEN (Service)
1 888 2 VINTEN (Sales)

Vinten GmbH
Gebäude 16
Planiger Straße 34
D-55543 Bad Kreuznach, Germany
Telephone +49 (0) 671/483 43-30
Telefax +49 (0) 671/483 43-50

Vinten Broadcast s.a.r.l.
171, Avenue des Grésillons
92635 GENNEVILLIERS Cedex
France
Telephone +33 08 20 82 13 36
Telefax +33 08 25 82 61 81

Vinten Japan KK
3-37-5 Sendagaya
Shibuya-Ku, Tokyo 151-0051, Japan
Telephone +81 3-3478-6017
Telefax +81 3-3478-6018

Vinten Asia Pacific Pte Ltd
6 New Industrial Road
#02-02 Hoe Huat Industrial Building
Singapore 536199
Telephone +65 62975776
Telefax +65 62975778

Vinten