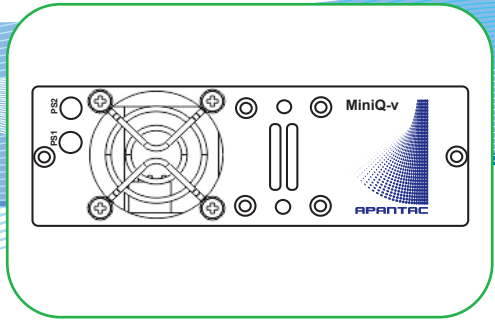


TAHOMA-MiniQ-v

QUAD-SPLIT MULTIVIEWER



Key Features

- Single frame processing delay
- Fixed Quad-Split
- 4 auto-detect 3G/HD/SD-SDI, Composite PAL/NTSC inputs
- Up to 8 modules can be inserted into a 3RU frame with optional hot swappable redundant power supplies
- Up to 3 modules can be inserted into a 1RU frame
- 16 channels of embedded audio per SDI input
- Multiple outputs in DVI, HDMI, SDI or VGA (optional)
- Output resolution up to 1920x1200 (incl. 1080p)
- Built-in CATx extender - extend 1080p up to 115 feet with optional receivers
- UMD, tallies, borders
- Automatic input aspect ratio detection

- Built-in video, audio alarm detections - no audio, audio high/low, no video, video black, video frozen
- Compact size with optional redundant power supply
- 3 year limited warranty

Accessories

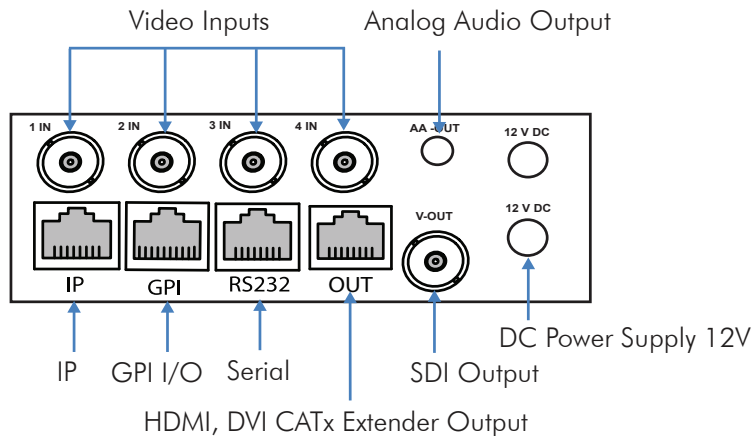
Standard

- 9 feet of CAT6 to HDMI cable
- RJ50 to DB9 for GPI
- RJ45 to DB9 for Serial
- CD (software, manual)
- Rack mount

Options

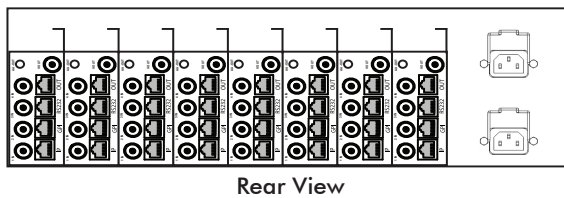
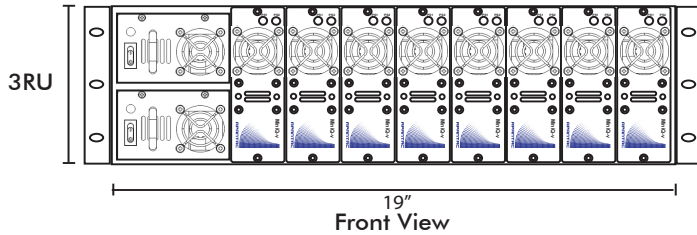
- DVI to HDMI adapter
- RJ45 (HDMI) to VGA Receiver
- Redundant Power Supply

TAHOMA-MiniQ-v Rear Panel

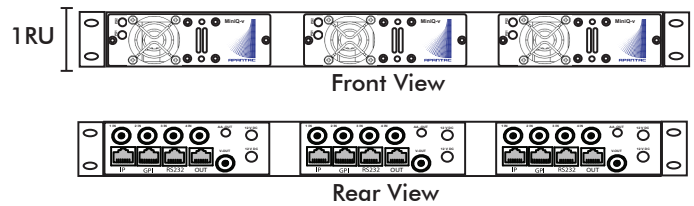


Multiple TAHOMA-MiniQ-v in Rack Frames

The TAHOMA-MiniQ-3U-FR (frame) can support up to eight MiniQ-v modules in 3 RU. The frame comes standard with a hot swappable power supply and an optional redundant power supply is available.



The TAHOMA-MiniQ-1U-FR (frame) can support up to three MiniQ-v modules in 1 RU.



SPECIFICATIONS

Video Inputs	Up to 4 3G/HD/SD-SDI, Composite (PAL / NTSC)	Alarms	No audio, audio high / low, no video, video black, video frozen
Connectors	BNC IEC 61169-8 Annex A	Control	GPI, Apantac ASCII Protocol (AX), Director configuration & control application
Total Windows	4 - fixed quad-split	Outputs	1 DVI, HDMI, SDI, VGA (option)
Serial Digital	SMPTE 424M, SMPTE 292M, SMPTE 259M	Output Resolution	800x480 - 1920x1200 (1080P)
Equalization	120m at 2.97 Gbps, 140m at 1.485 Gbps, 400m at 270 Mbps with Belden 1694A	Built-in CATx Extender	Up to 35 feet Extend up to 115 feet with optional active receiver
Return Loss	>15db up to 1.5Gbps >10db up to 3G	General Purpose IO	8 inputs with DB9 connectors
Embedded Audio	SMPTE-272M-A	Serial Port	RS232 with RS422 or RS485 option Connector: RJ45, Baud Rate Up to 115200, Format : TSL, TSI, AXP
Composite	NTSC (SMPTE-170M), PAL (ITU 624-2)	IP	100 Base-TX, TSL, AXP, Connector: RJ45
Signal Level	1V nominal	Electrical	25W, 90-250V 50/60 Hz - standalone 200 W, 90-250V 50/60 Hz - 3 RU frame
DC Offset	0V, +/-0.1V	EMI/RFI	Complies with FCC Part 15, Class A, CE, EU EMC, C-tick
Input Impedance	75 ohm for BNC	Power	Optional redundant power supply for 1 RU. Standard redundant power supply for 3 RU
Return Loss	40db up to 5MHz	Size	Compact, 13.34 cm (5.25") 1 RU, 44.5 cm (17.5") 3 RU, 44.5 cm (17.5")